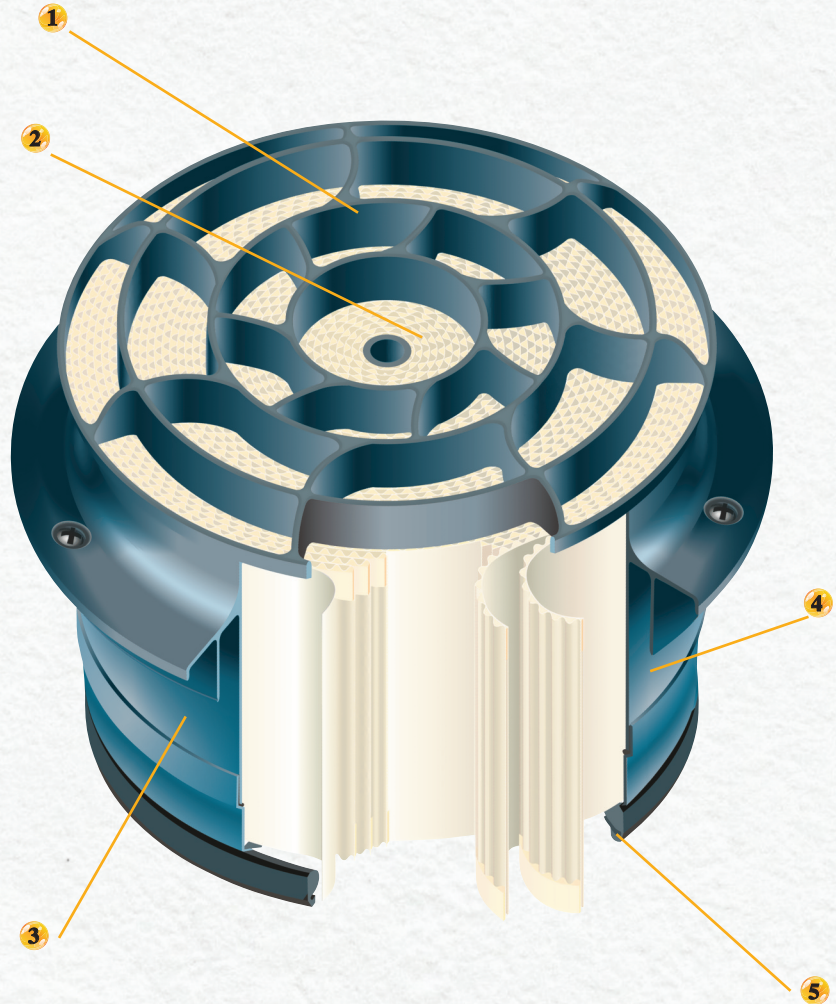


# Channel Flow<sup>®</sup> Air Filters

- 1 Media Support**  
protects the media pack from changes caused by increases in differential pressure.
- 2 Media Pack Configuration**  
— in either a rolled or stacked format — is inherently strong, eliminating the need for a centertube and wrapper used in traditional air filters.
- 3 Durable Frame**  
provides improved engine protection by fully enclosing the filter, protecting the media from damage during handling and preventing air from being drawn in through the sides of the filter.
- 4 Non-Metal Filter Element**  
allows easier, more environmentally friendly disposal and is fully incinerable.
- 5 Stronger Seal Support**  
provides better sealing support and reduces the chance for leaks.



Baldwin Filters' broad, heavy-duty coverage includes Channel Flow air filters with innovative design features to protect your engine's air intake system. Baldwin's Channel Flow air filters mean pure performance, system protection and hours of trouble-free system operation.

# How Channel Flow Filters Work

## More Surface Area

The key to the Channel Flow filters is the element. Channel Flow media is formed by layering alternating rows of flat sheets and corrugated media. When completed, the media resembles a honeycomb network of channels. Elements can be formed in either a round or racetrack design. Alternating channels are sealed with a bead of adhesive as the media pack is formed.

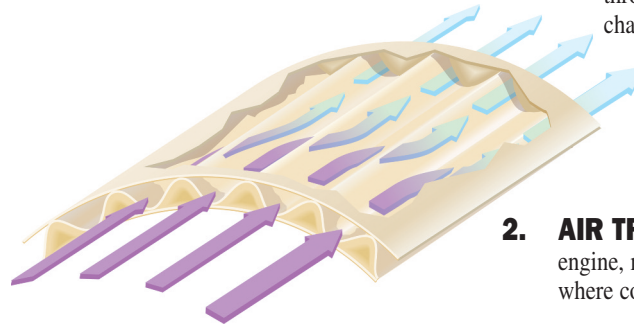
Air enters an open channel on the inlet side and flows through the media and exits through an adjacent open channel. Contaminants remain trapped within the channels and won't dislodge during servicing.

## Capacity

Traditional air filters have an average capacity of about 1 unit of contaminant per unit volume, where as the Channel Flow filter holds 2 units of contaminant per unit volume. This gives Channel Flow twice the capacity of traditional air filters.

## Efficiency

Tests show Channel Flow filters have an average efficiency of 99.99%. This means for



**3. CLEAN AIR** exits the filter through alternately opened channels on the opposite end.

**2. AIR TRAVELS** toward the engine, moving through the media where contaminants are trapped.

**1. DIRTY AIR** enters the Channel Flow filter through alternately opened channels on the intake side.

every 10,000 units of contaminant introduced to the filter, only one makes its way through. This is comparable to the efficiency of Baldwin Filters' traditional heavy-duty air filters.

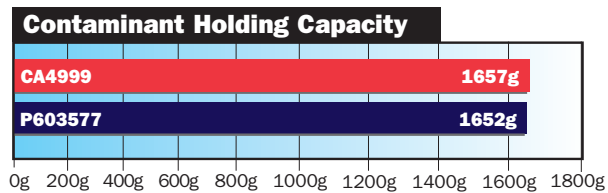
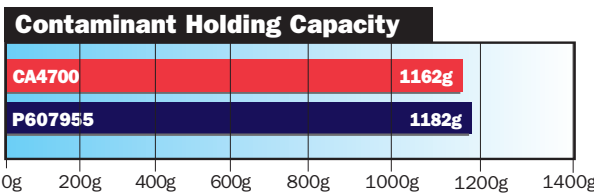
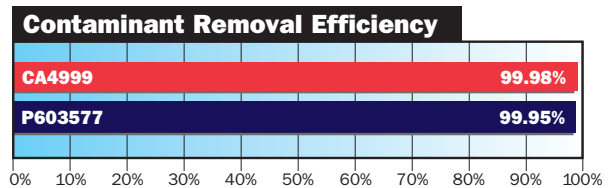
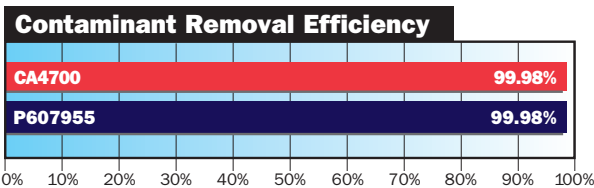
## In-Line Flow Path

Along with additional components in the engine compartment, increased air flow is needed for higher performance engines.

Increased air flow is also needed to meet tougher exhaust emission standards.

With a traditional air filter, air typically enters through the side of the filter housing. The air must then work its way around the filter element, pass through the media, then turn 90° to exit the filter. By eliminating the turns the air needs to make in a traditional air filter, in-line air filters reduce air flow restriction.

## Baldwin vs. Leading Competitor



ISO 5011 Test: Flow Rate 565 SCFM, ISO Fine Test Dust, Termination at 30° of Water

ISO 5011 Test: Flow Rate 430 SCFM, ISO Fine Test Dust, Termination at 30° of Water

## BALDWIN FILTERS® **BALDWIN**

a CLARCOR company

4400 East Highway 30 • P.O. Box 6010  
Kearney, Nebraska 68848-6010  
Phone: (308) 234-1951 • Toll Free: (800) 822-5394  
Fax: (800) 828-4453 • Int'l Fax: (308) 237-9769  
Internet: www.baldwinfilter.com

TS 16949  
ISO 9001



**Africa**  
Baldwin Filters, Pty. Ltd.  
Ph: 27-21-534-0029  
E-mail: africa@baldwinfilter.com

**China**  
CLARCOR Filtration (China) Co., Ltd.  
Ph: 86-536-2606308  
E-mail: china@baldwinfilter.com

**Middle East**  
Baldwin Filters  
Ph: (308) 237-9782  
E-mail: middleeast@baldwinfilter.com

**Southeast Asia & Pacific Rim**  
Baldwin Filters  
Ph: (308) 233-9226  
E-mail: southeastasia@baldwinfilter.com

**Australia & New Zealand**  
Baldwin Filters Aust., Pty. Ltd.  
Ph: 61-3-9353-7300  
E-mail: australia-newzealand@baldwinfilter.com

**Europe**  
Baldwin Filters N.V.  
Ph: 32 3 328 18 88  
E-mail: europe@baldwinfilter.com

**Morocco**  
Baldwin Filters Morocco  
Ph: (212) 522 70 00 25  
E-mail: morocco@baldwinfilter.com

**UK & Ireland**  
Baldwin Filters Ltd.  
Ph: 44-1268-888170  
E-mail: uk-ireland@baldwinfilter.com

**Central & South America**  
Baldwin Filters  
Ph: (308) 233-9220  
E-mail: latinamerica@baldwinfilter.com

**Mexico**  
Baldwin Filters, S. de R. L. de C. V.  
Ph: 52-442-227-3400  
E-mail: mexico@baldwinfilter.com

**Russia**  
Baldwin Filters  
Ph: (308) 237-9749  
E-mail: russia@baldwinfilter.com